

MTA

Installation and operating instructions

GB D F I E P GR NL S FIN DK



(GB) Declaration of Conformity

We, Grundfos, declare under our sole responsibility that the products MTA, to which this declaration relates, are in conformity with these Council directives on the approximation of the laws of the EC member states:

- Machinery Directive (2006/42/EC).
Standards used: EN 809: 2009, EN 60204-1: 2006.
- Low Voltage Directive (2006/95/EC).
Standards used: EN 60335-1: 2002 and EN 60335-2-51: 2003.
- EMC Directive (2004/108/EC).

(F) Déclaration de Conformité

Nous, Grundfos, déclarons sous notre seule responsabilité, que les produits MTA, auxquels se réfère cette déclaration, sont conformes aux Directives du Conseil concernant le rapprochement des législations des Etats membres CE relatives aux normes énoncées ci-dessous :

- Directive Machines (2006/42/CE).
Normes utilisées : EN 809 : 2009, EN 60204-1 : 2006.
- Directive Basse Tension (2006/95/CE).
Normes utilisées : EN 60335-1 : 2002 et EN 60335-2-51 : 2003.
- Directive Compatibilité Electromagnétique CEM (2004/108/CE).

(E) Declaración de Conformidad

Nosotros, Grundfos, declaramos bajo nuestra entera responsabilidad que los productos MTA, a los cuales se refiere esta declaración, están conformes con las Directivas del Consejo en la aproximación de las leyes de las Estados Miembros del EM:

- Directiva de Maquinaria (2006/42/CE).
Normas aplicadas: EN 809: 2009, EN 60204-1: 2006.
- Directiva de Baja Tensión (2006/95/CE).
Normas aplicadas: EN 60335-1: 2002 y EN 60335-2-51: 2003.
- Directiva EMC (2004/108/CE).

(GR) Δήλωση Συμμόρφωσης

Εμείς, η Grundfos, δηλώνουμε με αποκλειστικά δική μας ευθύνη ότι τα προϊόντα MTA στα οποία αναφέρεται η παρούσα δήλωση, συμμορφώνονται με τις εξής Οδηγίες του Συμβουλίου περί προσέγγισης των νομοθεσιών των κρατών μελών της ΕΕ:

- Οδηγία για μηχανήματα (2006/42/ΕΚ).
Πρότυπα που χρησιμοποιήθηκαν: EN 809: 2009, EN 60204-1: 2006.
- Οδηγία χαμηλής τάσης (2006/95/ΕΚ).
Πρότυπα που χρησιμοποιήθηκαν: EN 60335-1: 2002 και EN 60335-2-51: 2003.
- Οδηγία Ηλεκτρομαγνητικής Συμβατότητας (EMC) (2004/108/ΕΚ).

(S) Försäkran om överensstämmelse

Vi, Grundfos, försäkrar under ansvar att produkterna MTA, som omfattas av denna försäkran, är i överensstämmelse med rådets direktiv om inbördes närmande till EU-medlemsstaternas lagstiftning, avseende:

- Maskindirektivet (2006/42/EG).
Tillämpade standarder: EN 809: 2009, EN 60204-1: 2006.
- Lågspänningsdirektivet (2006/95/EG).
Tillämpade standarder: EN 60335-1: 2002 och EN 60335-2-51: 2003.
- EMC-direktivet (2004/108/EG).

(DK) Overensstemmelseserklæring

Vi, Grundfos, erklærer under ansvar at produkterne MTA som denne erklæring omhandler, er i overensstemmelse med disse af Rådets direktiv om indbyrdes tilnærmede til EF-medlemsstaternes lovgivning:

- Maskindirektivet (2006/42/EF).
Anvendte standarder: EN 809: 2009, EN 60204-1: 2006.
- Lavspændingsdirektivet (2006/95/EF).
Anvendte standarder: EN 60335-1: 2002 og EN 60335-2-51: 2003.
- EMC-direktivet (2004/108/EF).

(D) Konformitätserklärung

Wir, Grundfos, erklären in alleiniger Verantwortung, dass die Produkte MTA, auf die sich diese Erklärung bezieht, mit den folgenden Richtlinien des Rates zur Angleichung der Rechtsvorschriften der EU-Mitgliedsstaaten übereinstimmen:

- Maschinenrichtlinie (2006/42/EG).
Normen, die verwendet wurden: EN 809: 2009, EN 60204-1: 2006.
- Niederspannungsrichtlinie (2006/95/EG).
Normen, die verwendet wurden: EN 60335-1: 2002 und EN 60335-2-51: 2003.
- EMV-Richtlinie (2004/108/EG).

(I) Dichiarazione di Conformità

Grundfos dichiara sotto la sua esclusiva responsabilità che i prodotti MTA, ai quali si riferisce questa dichiarazione, sono conformi alle seguenti direttive del Consiglio riguardanti il riavvicinamento delle legislazioni degli Stati membri CE:

- Direttiva Macchine (2006/42/CE).
Norme applicate: EN 809: 2009, EN 60204-1: 2006.
- Direttiva Bassa Tensione (2006/95/CE).
Norme applicate: EN 60335-1: 2002 e EN 60335-2-51: 2003.
- Direttiva EMC (2004/108/CE).

(P) Declaração de Conformidade

A Grundfos declara sob sua única responsabilidade que os produtos MTA, aos quais diz respeito esta declaração, estão em conformidade com as seguintes Directivas do Conselho sobre a aproximação das legislações dos Estados Membros da CE:

- Directiva Máquinas (2006/42/CE).
Normas utilizadas: EN 809: 2009, EN 60204-1: 2006.
- Directiva Baixa Tensão (2006/95/CE).
Normas utilizadas: EN 60335-1: 2002 e EN 60335-2-51: 2003.
- Directiva EMC (compatibilidade electromagnética) (2004/108/CE).

(NL) Overeenkomstigheidsverklaring

Wij, Grundfos, verklaren geheel onder eigen verantwoordelijkheid dat de producten MTA waarop deze verklaring betrekking heeft, in overeenstemming zijn met de Richtlijnen van de Raad in zake de onderlinge aanpassing van de wetgeving van de EG Lidstaten betreffende:

- Machine Richtlijn (2006/42/EC).
Gebruikte normen: EN 809: 2009, EN 60204-1: 2006.
- Laagspannings Richtlijn (2006/95/EC).
Gebruikte normen: EN 60335-1: 2002 en EN 60335-2-51: 2003.
- EMC Richtlijn (2004/108/EC).

(FIN) Vaatimustenmukaisuusvakuutus

Me, Grundfos, vakuutamme omalla vastuullamme, että tuottee MTA, joita tämä vakuutus koskee, ovat EY:n jäsenvaltioiden lainsäädännön yhdenmukaistamiseen tähtäviin Euroopan neuvoston direktiivien vaatimusten mukaisia seuraavasti:

- Konedirektiivi (2006/42/EY).
Sovellettavat standardit: EN 809: 2009, EN 60204-1: 2006.
- Pienjännittdirektiivi (2006/95/EY).
Sovellettavat standardit: EN 60335-1: 2002 ja EN 60335-2-51: 2003.
- EMC-direktiivi (2004/108/EY).

Tatabánya, 15th June 2010



Gábor Farkas
R&D Manager,
Grundfos Manufacturing Ltd.
Búzavirág u. 14, Ipari Park,
2800 Tatabánya, Hungary

Person authorised to compile technical file
and empowered to sign the EC declaration.

MTA

Installation and operating instructions	4	GB
Montage- und Betriebsanleitung	8	D
Notice d'installation et d'entretien	13	F
Istruzioni di installazione e funzionamento	17	I
Instrucciones de instalación y funcionamiento	21	E
Instruções de instalação e funcionamento	25	P
Οδηγίες εγκατάστασης και λειτουργίας	29	GR
Installatie- en bedieningsinstructies	33	NL
Monterings- och driftsinstruktion	37	S
Asennus- ja käyttöohjeet	41	FIN
Monterings- og driftsinstruktion	45	DK

CONTENTS

	Page
1. Applications	4
2. Type designation	4
2.1 Pump key	4
3. Technical data	4
3.1 Dimensions	4
4. Installation	4
4.1 Pump location	4
4.2 Suction conditions	5
5. Electrical connection	5
6. Start-up	5
7. Operation and maintenance	6
7.1 Lubrication and maintenance	6
7.2 Filters	6
7.3 Periodic checks	6
8. Service	6
9. Sound pressure level	6
10. Fault finding chart	7
11. Disposal	7



Prior to installation, read these installation and operating instructions. Installation and operation must comply with local regulations and accepted codes of good practice.

1. Applications

The Grundfos pumps, type MTA, are one-chamber or two-chamber centrifugal pumps designed for the pumping of cooling lubricants for machine tools.

The pumped liquid must not contain abrasive particles or fibres.



The pump must not be used for the transfer of inflammable liquids such as diesel oil, petrol or similar liquids.

2. Type designation

The pump key on the pump nameplate indicates whether the pump is a one-chamber or two-chamber pump. The flow rate and installation length of the pump also appear from the pump nameplate.

2.1 Pump key

Example	MT	A	D	7/7	- 250
Pump range (Machine Tool)					
Product type					
Two-chamber pump					
Nominal flow rate in m ³ /h					
Installation length in mm					

3. Technical data

	MTA 3-180	MTA 4-250	MTAD 7/7-750
Minimum liquid temperature [° C]	-10	-10	-10
Maximum liquid temperature [° C]	+90	+90	+90
Maximum ambient temperature [° C]	+40	+40	+40
Enclosure class	IP54	IP54	IP54

3.1 Dimensions

See dimensions at the end of these instructions. All dimensions are in mm.

4. Installation



The pump must be installed so that persons cannot accidentally come into contact with the hot surface of the motor.

4.1 Pump location

Note: The pumps can only be mounted in vertical position, see fig. 1.

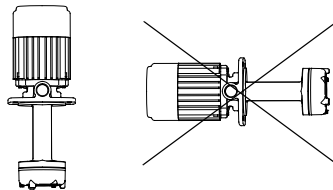


Fig. 1 Pump position

The pump is designed for tank mounting in vertical position. The pump is positioned in a hole cut into the cover of the tank (upper side) and is secured to the tank by four hexagon head screws through the holes in the mounting flange. It is recommended to fit a sealing gasket between the pump flange and tank.

Installation dimensions appear from fig. 2 and the following table (all dimensions in mm).

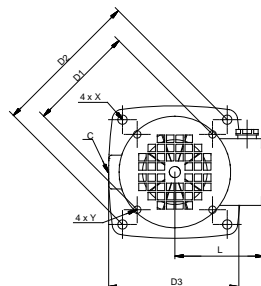


Fig. 2 Installation dimensions

TM01 8522 0300

TM01 8574 0400

Pump mounting flange dimensions:

Pump type	C	D1	D2	D3	L	X	Y
MTA 3	Rp ¾ / ¾" NPT	115	160	143	96	∅10	∅8
MTA 4	Rp ¾ / ¾" NPT	—	160	150	96	∅10	—
MTAD 7/7	Rp 1¼ / 1¼" NPT	160	220	200	108	∅12	∅10

4.2 Suction conditions

The bottom of the pump must be at least 10 mm above the bottom of the tank, see fig. 3 or 4.

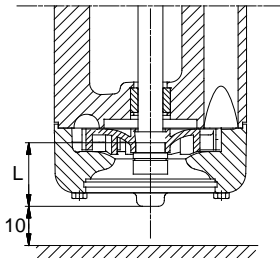


Fig. 3 MTA 3, MTA 4

	MTA 3	MTA 4
L [mm]	35	45

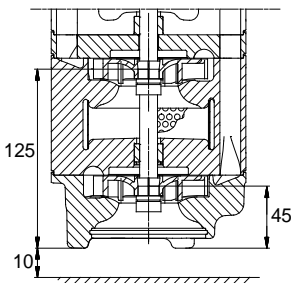


Fig. 4 MTAD 7/7

5. Electrical connection

The electrical connection should be carried out in accordance with local regulations.



Never make any connections in the pump terminal box unless the power supply has been switched off.

If the pump is not connected to an electric installation, it must be connected to an external mains switch.

The operating voltage and frequency are marked on the pump nameplate. Please make sure that the motor is suitable for the power supply on which it will be used.

The motor must be connected to a motor starter.

Terminal box position

The terminal box can be turned to four positions, in 90 ° steps, see fig. 5.

Proceed as follows:

1. Remove the four bolts securing the motor to the pump.
2. Turn the motor to the required position.
3. Refit and tighten the four bolts.

The electric motor should be connected to the supply as shown in the diagram inside the terminal box cover.

Note: The terminal box of MTA 3 and MTA 4 cannot be placed in position 0 ° (12 o'clock).

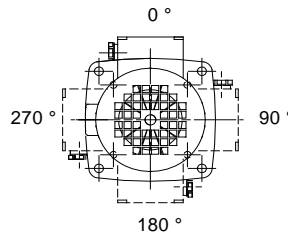


Fig. 5 Terminal box position

6. Start-up

The pump can be started against an open or a closed discharge side.

Before starting the pump, make sure:

- that all pipe connections are tight.
- that the pump foot is partly filled with liquid (partly submerged).
- that chip trays are not blocked by impurities.

Start the pump as follows:

1. Close the isolating valve on the discharge side of the pump.
2. See the correct direction of rotation of the pump on the motor fan cover. When seen from the top, the pump should rotate *counter-clockwise*.
3. Start the pump and check the direction of rotation.
4. Open the discharge isolating valve a little.
5. Completely open the discharge isolating valve.

The pump has now been vented and is ready for operation.

7. Operation and maintenance

Note: The pump is not allowed to run against a closed discharge valve for more than approx. 48 hours as this will cause an increase in temperature/formation of steam in the pump which may cause damage to the pump.

7.1 Lubrication and maintenance

Pumps installed in accordance with these instructions require very little maintenance.

The pump bearings are also lubricated by the pumped liquid. The motor ball bearings are grease-packed and sealed for life. No further lubrication is necessary.

7.2 Filters

Chip trays, filters, etc. should be cleaned at regular intervals to ensure a correct flow of liquid.

7.3 Periodic checks

At regular intervals, depending on the conditions and time of operation, the following checks should be made:

- Check the quantity of liquid and operating pressure.
- Check that there are no leaks.
- Check that the motor is not overheating.
- Check the tripping of the motor starter.
- Check that all control devices are operating satisfactorily.

If the above checks do not reveal any abnormal operating details, no further checks are necessary.

Should any faults be found, check the symptoms with section 10. *Fault finding chart.*

8. Service



If a pump has been used for pumping liquids which are injurious to human health or poisonous, it will be classified as contaminated.

A contaminated pump must not be sent to Grundfos for service until Grundfos has received all necessary details about the pumped liquid, etc. Otherwise Grundfos can refuse to accept the pump for servicing.

Possible costs of returning the pump are to be paid by the customer.

9. Sound pressure level

Motor [kW]	\bar{L}_{pA} [dB(A)]	
	50 Hz	60 Hz
0.18	<70	<70
0.25	<70	<70
0.75	<70	–
1.1	<70	<70

10. Fault finding chart



Before starting work on the pump, make sure that the power supply has been switched off and that it cannot be accidentally switched on.

GB

Fault	Cause	Remedy
1. Motor does not run when started.	a) Supply failure.	Connect the power supply.
	b) Fuses are blown.	Replace fuses.
	c) Motor starter overload has tripped out.	Reactivate the motor protection.
	d) Main contacts in motor starter are not making contact or the coil is faulty.	Replace contacts or magnetic coil.
	e) Control circuit is defective.	Repair the control circuit.
	f) Motor is defective.	Replace the motor.
2. Motor starter overload trips out immediately when supply is switched on.	a) One fuse/automatic circuit breaker is blown.	Cut in the fuse.
	b) Contacts in motor starter overload are faulty.	Replace motor starter contacts.
	c) Cable connection is loose or faulty.	Fasten or replace the cable connection.
	d) Motor winding is defective.	Replace the motor.
	e) Pump mechanically blocked.	Remove the mechanical blocking of the pump.
	f) Overload setting is too low.	Set the motor starter correctly.
3. Motor starter overload trips out occasionally.	a) Overload setting is too low.	Set the motor starter correctly.
	b) Low voltage at peak times.	Check the power supply.
4. Motor starter has not tripped out but the pump does not run.	a) Check 1 a), b), d) and e).	
5. Pump runs but gives no liquid or pump capacity is not constant.	a) Pump inlet partly blocked by impurities.	Clean the inlet.
	b) Liquid level in tank too low.	Increase the liquid level.
	c) Pump rotates in the wrong direction.	Change the direction of rotation of the motor.

11. Disposal

This product or parts of it must be disposed of in an environmentally sound way:

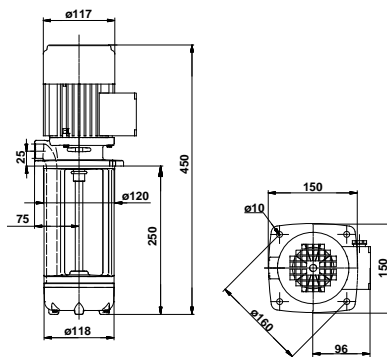
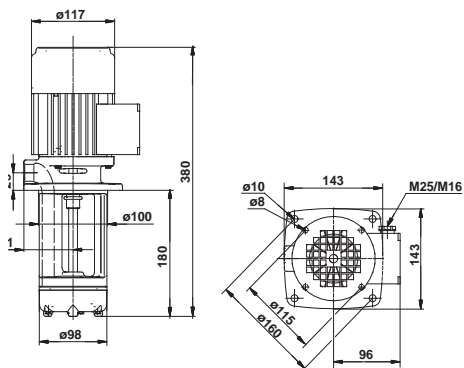
1. Use the public or private waste collection service.
2. If this is not possible, contact the nearest Grundfos company or service workshop.

Dimensions [mm]

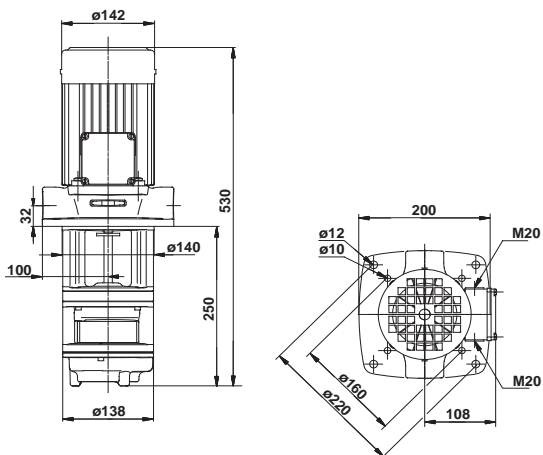
MTA 3, MTA 4

MTA 3

MTA 4



MTAD 7/7



TM01 8563 0400 / TM01 8564 0400

TM01 8565 0400

Argentina
GRUNDFOS Pumps of Argentina S.A.
Ruta Panamericana km. 37.500 Lote 34A
1619 - Garin
Pcia. de Buenos Aires
Phone: +54-3327 414 444
Telefax: +54-3327 411 111

Australia
GRUNDFOS Pumps Pty. Ltd.
P.O. Box 2040
Regency Park
South Australia 5942
Phone: +61-8-8461-4611
Telefax: +61-8-8340 0155

Austria
GRUNDFOS Pumpen Vertrieb Ges.m.b.H.
Grundfosstraße 2
A-5082 Grödig/Salzburg
Tel.: +43-6246-883-0
Telefax: +43-6246-883-30

Belgium
N.V. GRUNDFOS Bellux S.A.
Boomssteenvweg 81-83
B-2630 Aartselaar
Tel.: +32-3-870 7300
Télécopie: +32-3-870 7301

Belorussia
Представительство ГРУНДФОС в Минске
220090 Минск ул.Олешева 14
Телефон: (8632) 62-40-49
Факс: (8632) 62-40-49

Bosnia/Herzegovina
GRUNDFOS Sarajevo
Pajominska br. 16,
BH-71000 Sarajevo
Phone: +387 33 713290
Telefax: +387 33 231795

Brazil
Mark GRUNDFOS Ltda.
Av. Humberto de Alencar Castelo Branco, 630
CEP 09850 - 300
São Bernardo do Campo - SP
Phone: +55-11 4393 5533
Telefax: +55-11 4343 5015

Bulgaria
GRUNDFOS Pumpen Vertrieb Representative Office - Bulgaria
Bulgaria, 1421 Sofia
Lozenetz District
105-107 Arsenalski blvd.
Phone: +359 2963 3820, 2963 5653
Telefax: +359 2963 1305

Canada
GRUNDFOS Canada Inc.
2941 Brighton Road
Oakville, Ontario
L6H 6C9
Phone: +1-905 829 9533
Telefax: +1-905 829 9512

China
GRUNDFOS Pumps (Shanghai) Co. Ltd.
51 Floor, Raffles City
No. 268 Xi Zang Road. (M)
Shanghai 200001
PRC
Phone: +86-021-612 252 22
Telefax: +86-021-612 253 33

Croatia
GRUNDFOS predstavništvo Zagreb
Cebini 37, Buzin
HR-10010 Zagreb
Phone: +385 1 6595 400
Telefax: +385 1 6595 499

Czech Republic
GRUNDFOS s.r.o.
Čajkovského 21
779 00 Olomouc
Phone: +420-585-716 111
Telefax: +420-585-716 299

Denmark
GRUNDFOS DK A/S
Martin Bachs Vej 3
DK-8850 Bjerringbro
Tlf.: +45-87 50 50 50
Telefax: +45-87 50 51 51
E-mail: info_GDK@grundfos.com
www.grundfos.com/DK

Estonia
GRUNDFOS Pumps Eesti OÜ
PETERBURI tee 92G
11415 Tallinn
Tel: + 372 606 1690
Fax: + 372 606 1691

Finland
OY GRUNDFOS Pumput AB
Mestarintie 11
FIN-01730 Vantaa
Phone: +358-3066 5650
Telefax: +358-3066 56550

France
Pompes GRUNDFOS Distribution S.A.
Parc d'Activités de Chesnes
57, rue de Malacombe
F-38290 St. Quentin Fallavier (Lyon)
Tél.: +33-4 74 82 15 15
Télécopie: +33-4 74 94 10 51

Germany
GRUNDFOS GMBH
Schlüterstr. 33
40699 Erkrath
Tel.: +49-(0) 211 929 69-0
Telefax: +49-(0) 211 929 69-3799
e-mail: info.service@grundfos.de
Service in Deutschland:
e-mail: kundendienst@grundfos.de

Greece
GRUNDFOS Hellas A.E.B.E.
20th km. Athinon-Markopoulou Av.
P.O. Box 71
GR-19002 Peania
Phone: +0030-210-66 83 400
Telefax: +0030-210-66 46 273

Hong Kong
GRUNDFOS Pumps (Hong Kong) Ltd.
Unit 1, Ground floor
Siu Wai Industrial Centre
29-33 Wing Hong Street &
68 King Lam Street, Cheung Sha Wan
Kowloon
Phone: +852-27861706 / 27861741
Telefax: +852-27858664

Hungary
GRUNDFOS Hungária Kft.
Park u. 8
H-2045 Törökbalint,
Phone: +36-23 511 110
Telefax: +36-23 511 111

India
GRUNDFOS Pumps India Private Limited
118 Old Mahabalipuram Road
Thoraiakkam
Chennai 600 096
Phone: +91-44 2496 6800

Indonesia
PT GRUNDFOS Pomba
Jl. Rawa Sumur Ili, Blok III / CC-1
Kawasan Industri, Pulogadung
Jakarta 13930
Phone: +62-21-460 6909
Telefax: +62-21-460 6910 / 460 6901

Ireland
GRUNDFOS (Ireland) Ltd.
Unit A, Merywell Business Park
Ballymount Road Lower
Dublin 12
Phone: +353-1-4089 800
Telefax: +353-1-4089 830

Italy
GRUNDFOS Pompe Italia S.r.l.
Via Gran Sasso 4
I-20060 Trucazzano (Milano)
Tel.: +39-02-95838112
Telefax: +39-02-95309290 / 95838461

Japan
GRUNDFOS Pumps K.K.
Gotanda Metalion Bldg., 5F,
5-21-15, Higashi-gotanda
Shiagawa-ku, Tokyo
141-0022 Japan
Phone: +81 35 448 1391
Telefax: +81 35 448 9619

Korea
GRUNDFOS Pumps Korea Ltd.
6th Floor, Aju Building 679-5
Yeoksam-dong, Kangnam-ku, 135-916
Seoul, Korea
Phone: +82-2-5317 620
Telefax: +82-2-5633 725

Latvia
SIA GRUNDFOS Pumps Latvia
Deglava biznesa centrs
Augusta Deglava iela 60, LV-1035,
Riga
Tālr.: + 371 714 9640, 7 149 641
Fakss: + 371 914 9646

Lithuania
GRUNDFOS Pumps UAB
Smolensko g. 6
LT-03201 Vilnius
Tel: + 370 52 395 430
Fax: + 370 52 395 431

Malaysia
GRUNDFOS Pumps Sdn. Bhd.
7 Jalan Peguam U1/25
Glenmarie Industrial Park
40150 Shah Alam
Selangor
Phone: +60-3-5569 2922
Telefax: +60-3-5569 2866

México
Bombas GRUNDFOS de México S.A. de C.V.
Boulevard TLC No. 15
Parque Industrial Stiva Aeropuerto
Apodaca, N.L. 66600
Phone: +52-81-8144 4000
Telefax: +52-81-8144 4010

Netherlands
GRUNDFOS Netherlands
Veluwezoom 35
1326 AE Almere
Postbus 22015
1302 CA ALMERE
Tel.: +31-88-478 6336
Telefax: +31-88-478 6332
e-mail: info_gnl@grundfos.com

New Zealand
GRUNDFOS Pumps NZ Ltd.
17 Beatrice Tinsley Crescent
North Harbour Industrial Estate
Albany, Auckland
Phone: +64-9-415 3240
Telefax: +64-9-415 3250

Norway
GRUNDFOS Pumper A/S
Strømsveien 344
Postboks 235, Leirdal
N-1011 Oslo
Tlf.: +47-22 90 47 00
Telefax: +47-22 32 21 50

Poland
GRUNDFOS Pompy Sp. z o.o.
ul. Klonowa 23
Baranowo k. Poznania
PL-62-081 Przeźmierowo
Tel: (+48-61) 650 13 00
Fax: (+48-61) 650 13 50

Portugal
Bombas GRUNDFOS Portugal, S.A.
Rua Calvet de Magalhães, 241
Apartado 1079
P-2770-155 Paço de Arcos
Tel.: +351-21-440 76 00
Telefax: +351-21-440 76 90

România
GRUNDFOS Pompe România SRL
Bd. Biruintei, nr 103
Pantelimon county Ilfov
Phone: +40 21 200 4100
Telefax: +40 21 200 4101
E-mail: romania@grundfos.ro

Russia
ООО Грундфос
Россия, 109544 Москва, ул.
Школьная 39
Тел. (+7) 495 737 30 00, 564 88 00
Факс (+7) 495 737 75 36, 564 88 11
E-mail
grundfos.moscow@grundfos.com

Serbia
GRUNDFOS Predstavništvo Beograd
Dr. Milutina Ivkovića 2a/29
YU-11000 Beograd
Phone: +381 11 26 47 877 / 11 26 47 496
Telefax: +381 11 26 48 340

Singapore
GRUNDFOS (Singapore) Pte. Ltd.
24 Tuas West Road
Jurong Town
Singapore 638381
Phone: +65-6865 1222
Telefax: +65-6861 8402

Slovenia
GRUNDFOS PUMPEN VERTRIEB
Ges.m.b.H.
Podružnica Ljubljana
Blatnica 1, SI-1236 Trzin
Phone: +386 01 568 0610
Telefax: +386 01 568 0619
E-mail: slovenia@grundfos.si

Spain
Bombas GRUNDFOS España S.A.
Camino de la Fuenteccilla, s/n
E-28110 Algete (Madrid)
Tel.: +34-91-848 8800
Telefax: +34-91-628 0465

Sweden
GRUNDFOS AB
Box 333 (Lunnagårdsgatan 6)
431 24 Mölndal
Tel.: +46(0)717-32 30 20
Telefax: +46(0)31-331 94 60

Switzerland
GRUNDFOS Pumpen AG
Bruggacherstrasse 10
CH-8117 Fallanden/ZH
Tel.: +41-1-806 8111
Telefax: +41-1-806 8115

Taiwan
GRUNDFOS Pumps (Taiwan) Ltd.
7 Floor, 219 Min-Chuan Road
Taichung, Taiwan, R.O.C.
Phone: +886-4-2305 0868
Telefax: +886-4-2305 0878

Thailand
GRUNDFOS (Thailand) Ltd.
92 Chaloem Phrakiat Bangk 9 Road,
Dokmai, Pravej, Ramaok 10250
Phone: +66-2-725 8999
Telefax: +66-2-725 8998

Turkey
GRUNDFOS POMPA San. ve Tic. Ltd. Sti.
Gebze Organize Sanayi Bölgesi
Ihsan dede Caddesi,
2. yol 200, Sokak No. 204
41490 Gebze/Kocaeli
Phone: +90 - 262-679 7979
Telefax: +90 - 262-679 7905
E-mail: satis@grundfos.com

Ukraine
ТОВ ГРУНДФОС УКРАЇНА
01010 Київ, Вул. Московська 86,
Тел.: (+38 044) 390 40 50
Факс: (+38 044) 390 40 59
E-mail: ukraine@grundfos.com

United Arab Emirates
GRUNDFOS Gulf Distribution
P.O. Box 16768
Jebel Ali Free Zone
Dubai
Phone: +971-4- 8815 166
Telefax: +971-4-8815 136

United Kingdom
GRUNDFOS Pumps Ltd.
Grovebury Road
Leighton Buzzard/Beds. LU7 8TL
Phone: +44-1525-850000
Telefax: +44-1525-850011

U.S.A.
GRUNDFOS Pumps Corporation
17100 West 116th Terrace
Olathe, Kansas 66061
Phone: +1-913-227-3400
Telefax: +1-913-227-3500

Usbekistan
Представительство ГРУНДФОС в Ташкенте
700000 Ташкент ул.Усмана Носира 1-й
тулик 5
Телефон: (3712) 55-68-15
Факс: (3712) 53-36-35

96438646 0610
Repl. 96438646 1008

30

ECM: 1061538

The name Grundfos, the Grundfos logo, and the payoff Be–Think–Innovate are registered trademarks owned by Grundfos Management A/S or Grundfos A/S, Denmark. All rights reserved worldwide.
